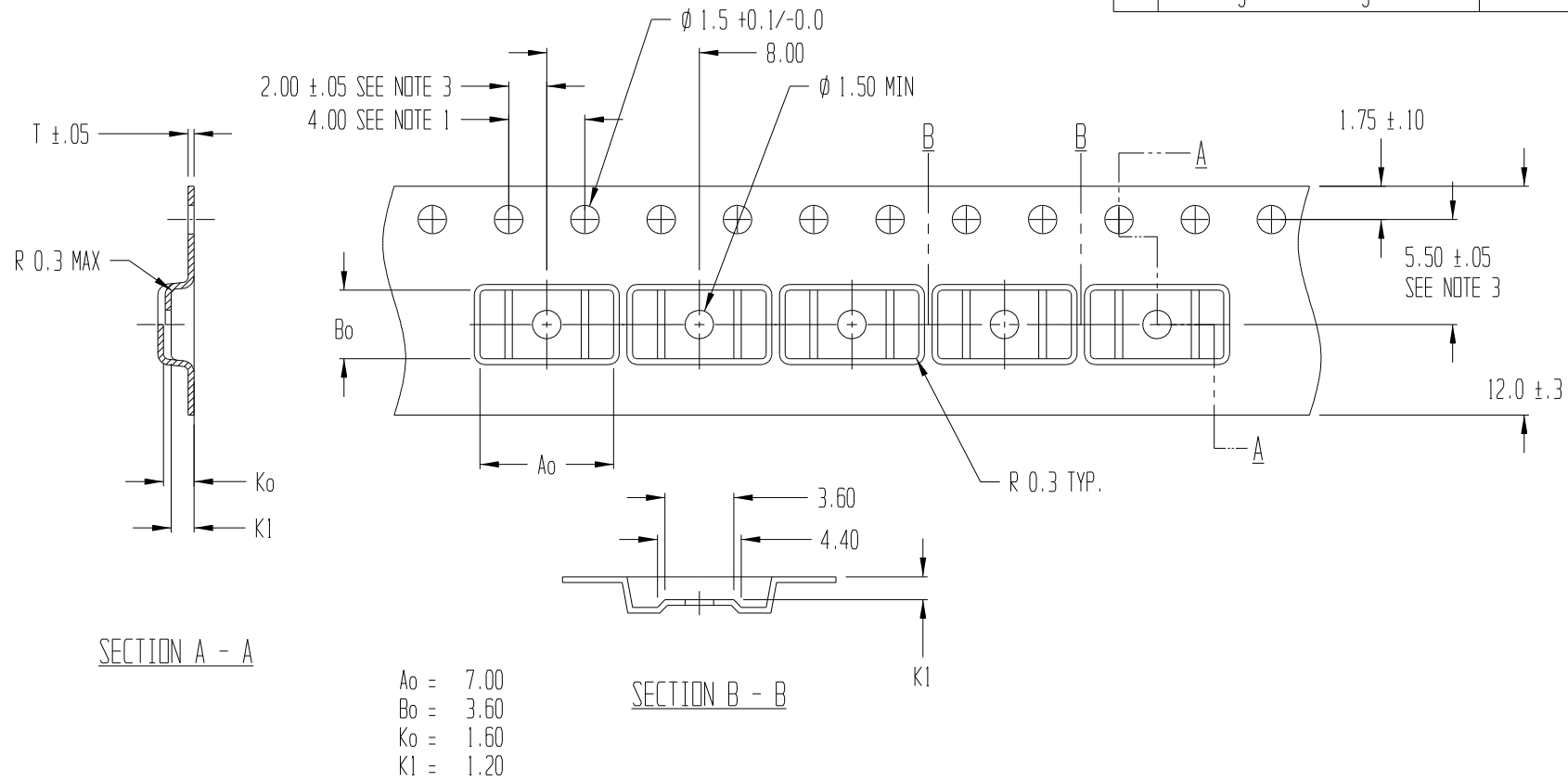


REVISIONS			
REV	DESCRIPTION	DATE	APPROVED
1	Drawing format change	1/24/02	BTH



$A_o = 7.00$
 $B_o = 3.60$
 $K_o = 1.60$
 $K_1 = 1.20$

PART#	T	MATERIAL	DRAWING NO.
TSSPOB-AC	0.30	PS+C	A0725-94-1
TSSPOB-AD	0.30	PS+C	A0725-94-1

- NOTES:
- 10 SPROCKET HOLE PITCH CUMULATIVE TOLERANCE ± 0.2
 - CAMBER IN COMPLIANCE WITH EIA 481
 - POCKET POSITION RELATIVE TO SPROCKET HOLE MEASURED AS TRUE POSITION OF POCKET, NOT POCKET HOLE



TITLE ADVANTEK PART DRAWING NUMBER TSSPOB-A CARRIER TAPE			
TOLERANCES - UNLESS NOTED 1PL ± 0.2 2PL ± 0.10		MATERIAL PS+C	
		ALL DIMENSIONS IN MILLIMETERS	DWG SIZE B
DRAWN BY RJB/BTH	DATE 6/24/94	SCALE 4:1	SHEET 1 OF 1
REFERENCE NO.	DWG NO. SEE TABLE		REV 1