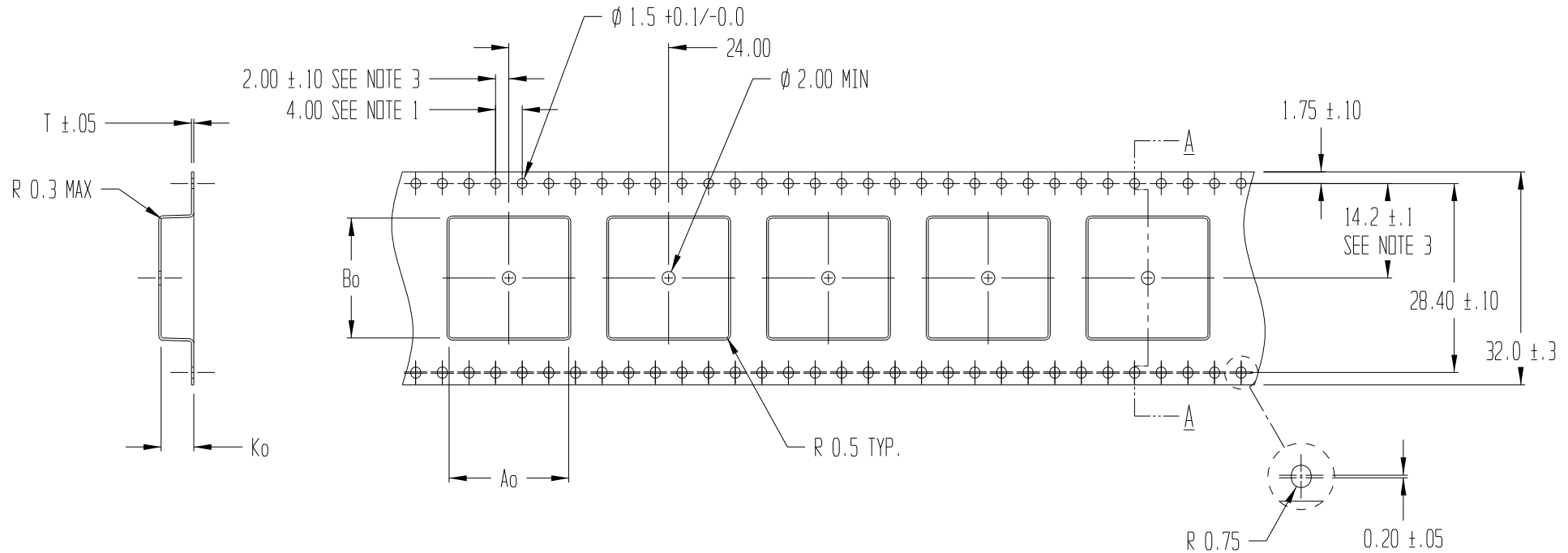


REVISIONS			
REV	DESCRIPTION	DATE	APPROVED
1	ADDED TABLE AND D MATERIAL	05/13/22	VWA



SECTION A - A

PART #	T	MATERIAL	DWG#
PLCC44-AX	0.35	PS+C	A1128-90-4 (1)
PLCC44-AC	0.30	PS+C	A0310-94-1 (2)
PLCC44-AD	0.30	PS+C	A0310-94-1 (3)

NOTES:

1. 10 SPROCKET HOLE PITCH CUMULATIVE TOLERANCE  $\pm 0.2$
2. CAMBER IN COMPLIANCE WITH EIA 481
3. POCKET POSITION RELATIVE TO SPROCKET HOLE MEASURED AS TRUE POSITION OF POCKET, NOT POCKET HOLE

$A_o = 18.00$   
 $B_o = 18.00$   
 $K_o = 4.90$

TITLE ADVANTEK PART DRAWING NUMBER PLCC44-A CARRIER TAPE			
TOLERANCES - UNLESS NOTED 1PL $\pm 0.2$ 2PL $\pm 0.10$		MATERIAL PS+C	
		ALL DIMENSIONS IN MILLIMETERS	DWG SIZE B
DRAWN BY BJD/BVB	DATE 11/28/90	SCALE 3:2	SHEET 1 OF 1
REFERENCE NO.		DWG NO. SEE TABLE	REV 1