



KTR 10

Taping machine



KTR 10

Taping made easier

The KTR 10 is an attractive entry-level model which makes machine taping child's play. The compact and operator-controlled taping machine is ideal for the production of simple wire harnesses without branches or with branches directly on the plug.

Wires and long branches pre-fixed with spot tapes can also be taped quickly and precisely. The length of the tape is not limited – the KTR 10 specializes in processing meter-length wires.

The roller pre-feed can be set from 0 to 70 millimeters per bundling head rotation. This ensures precise overlapping on request – with minimum operator influence. The start and end of the windings can be produced by opening the pre-feed. If the pre-feed is set larger than the tape width, a saving tape is produced. The wire harness is wound in a spiral and formed.

Simple, fast and economical: The winding speed of the KTR 10 is two to three times faster compared to hand-guided devices. The low consumption of material is also an advantage: The KTR 10 consumes up to 25 percent less tape than with manual taping. The classic taping device from Komax thus guarantees maximum productivity.





INTEGRATED CUTTER FOR FAST PRODUCTION

◀ The KTR 10 dispenses virtually unlimited amount of tape and is ideal for long taping.

**COMPACT ENTRY-LEVEL SOLUTION
CAN BE INTEGRATED INTO ANY PRODUCTION SYSTEM
AS A TABLETOP DEVICE**



Attractive starter-level model

- Extremely low training required.
- The speed is easily regulated with a foot pedal.
- Low-maintenance and reliable compact machine.

Perfect performance for added product safety

- Maintenance of specified overlap through defined roller pre-feed
- Consistent tape tension and guidance guarantee wrinkle-free taping compared to manual taping.
- A cutter is integrated into the bundling table.
The tape does not need to be cut with scissors

- this saves time and at the same time prevents injuries on the wire.

Economic advantages

- Low production time: 2 – 3 times faster bundling speed compared to hand-guided devices.
- Up to 25 % material savings compared to manual processing.
- The machine is also optionally available with an open bundling head (without protective cover). This means that longer wire harnesses can be processed even faster.



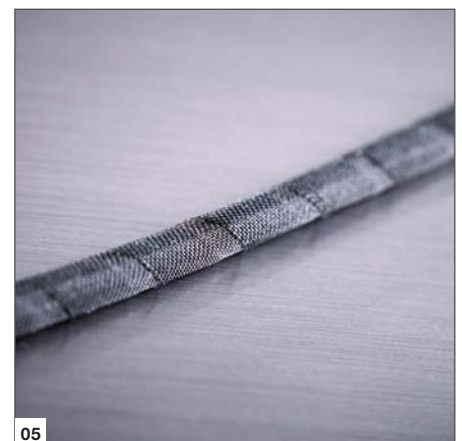
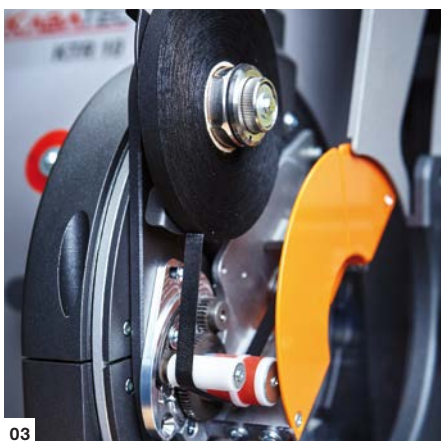
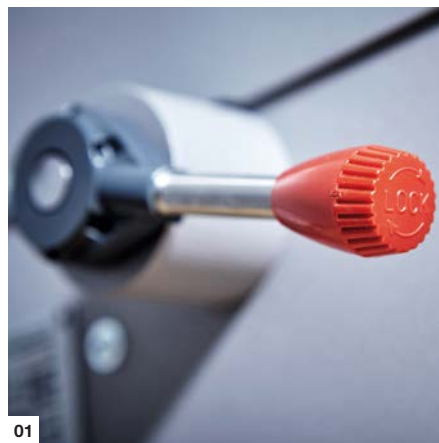
01
The radial roller pre-feed ensures flexibility: The pre-feed speed can be set simply and exactly using a lever.

02
Perfect speed: The speed is controlled continuously with a foot pedal.

03
A bundling aid is also available as an option to prevent unwanted twisting.

04
Constricted bundling table for different tape widths. Komax offers a wide spectrum of bundling tables.

05
Automatic taping has never been easier with the KTR 10 starter-level model.



03

04

05

KTR 10

Additional options as required

At the customer's request, Komax produces numerous options for the KTR 10 which improve flexibility and performance safety in wire harness production.

Twinning to perfection: Shielded wires

Double taping allows the simultaneous processing of aluminum and PVC tape for example.

This enables shielded wires to be produced with the KTR 10 – in just one single process.

Tape changing advantage: Tape end detection

Before the last layer of tape is applied to the wire harness, the end of the tape is detected. The machine stops. Once the roller has been changed, the process continues from precisely the position where it stopped. One option which guarantees higher productivity.



Multitude of choice: Bundling tables

How close should the tape be to the connector? How wide is the tape? Komax offers a wide selection of bundling tables, knowing that customer requirements differ greatly.

A total of seven tables are available. In addition, Komax also produces customized applications on customer request. The bundling table can be replaced in a few simple steps.

Avoid twisting: Tape pull-off aid

Tapes with high pull-off forces often cause the wires to twist unintentionally. The tape pull-off aid is a mechanism which helps to pull off the tape and minimizes the risk of twisting. The tape pull-off aid can be set individually or deactivated depending on the type of tape used. Another advantage: The tape pull-off aid produces flexible wire harnesses which can be fitted easily.

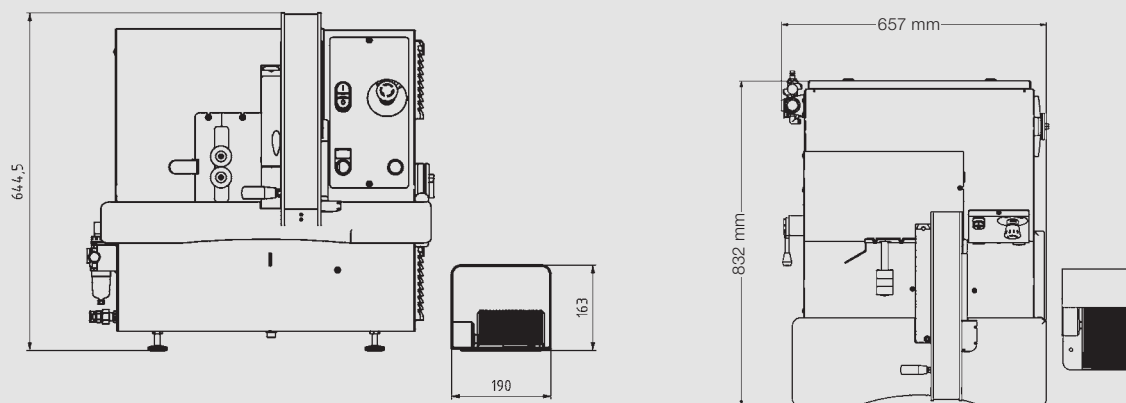
Economical and fast: Easy handling

The KTR 10 can be supplied either with or without a side cover. The version without a side cover allows considerably faster handling. This makes it more economical to produce long wire harnesses.

Safe and easy: Positioning aid

The positioning aid is an option recommended particularly for machines without a safety cover because the wire harness does not need to be pulled in by hand. The positioning aid transports the wire harness with a constant pre-feed rate and this ensures easy handling and a uniform overlapping without operator influence.





Technical data - The KTR 10 at a glance

Application	Taping of simple or pre-fixed wire harnesses with a low number of branches
Adhesive tape and wire harness data	
Wire harness diameter	< 20 mm (optional: < 40 mm)
Max. coiling length	Limited by tape length
Length deviation per bundling step	Max. 180 mm
Adhesive tape materials	Wide range of automotive and industrial tapes (optional: double taping with non-adhesive aluminum tape)
Tape width	9 – 19 mm (on request < 25 mm)
Tape roller core diameter (standard)	1.5" and 3"
Maximum tape roller outer diameter	Max. 180 mm
Double taping 2 x 1.5"	
Tape roller core diameter	2 x 1.5"
Maximum tape roller outer diameter	125 mm (both)
Double taping 1 x 1.5" + 1 x 4"	
Tape roller core diameter	1 x 1.5" (tape) + 1 x 4" (aluminum film)
Maximum tape roller outer diameter	125 mm (tape) + 210 mm (aluminum film)
Machine data	
Bundling head rotational speed	100 – 1000 rpm, speed control continuously via foot pedal incl. bundling head positioning
Pre-feed type	Roller pre-feed
Pre-feed	0 – 70 mm/U, continuously adjustable
Tape end detection	Optional (with optical sensor)
Electric connection	L/N/PE 210 – 240V AC/50 – 60Hz +-10% (optional: L/N/PE 100 – 120V AC/50 – 60Hz +-10%)
Pre-fuse	16 A (optional 15 A)
Connected load	1200 W
Control voltage	24 V DC
Operating pressure	6 bar (0.6 MPa / 87 psi)
Dimensions (HxWxD)	645 x 657 x 832 mm
Weight	145 kg

Komax – leading the field now and in the future

As a pioneer and market leader in the field of automated wire processing, Komax provides its customers with innovative and sustainable solutions for any situation that calls for precise contact connections. Komax manufactures series and customer-specific machinery for various industries, catering to every degree of automation and customization. Its range of quality tools, test systems, and intelligent networking solutions complete the portfolio, and ensure safe and efficient production.

Komax is a globally active Swiss company with development and production facilities on several continents. Komax uses its extensive distribution and service network, which includes local companies and their employees, to support customers across the world on site, thus ensuring the availability and value of their investments after equipment commissioning through standardized service processes.