

# PCB separator MAESTRO 6



Separation of milled PCBs up to a length of 1,500 mm with a minimum of stress on the components

The MAESTRO 6 is the consequent further development of the proven cab PCB separators. Even very lengthy PCBs can be separated fast, economical and without stress.

The carriage power unit is assembled behind the linear blade. This crucially simplifies the separation and removal of the PCBs.

## Dial gauge

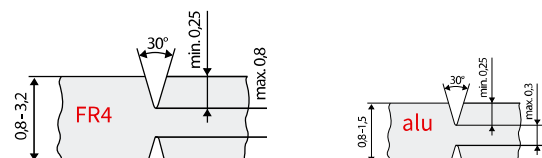
In order to separate without stress and to achieve a long service life, the circular and linear blades have to be guided along the entire separation. The dial gauge setting and regularly checking the parallelism is assembled to the carriage.



## Overall technical data

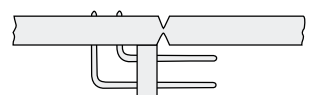
Separation method	Component side	Circular blade
	Solder side	Linear blade
Operation	path-optimized	
Separation speed	up to 500 mm/s up to 250 mm/s with aluminum	
Support table depth	160 mm	
Operation panel		
Control buttons	- Home / Position - Carriage moving to and fro	
Programming buttons	- Carriage start / stop position - Carriage moving to and fro with or without interruption - Separation speed - "Number of cuts" or "Separation length" selection - Deletion of selection - Conveyor belt activation - Belt speed	
Power switcher	ON/OFF	
Foot switch	START separation	
Safety switch	E-stop	
Power supply	100 - 240 VAC, 50/60 Hz	
Emmission sound pressure level	LpA < 70 dB (A)	
Temperature / humidity	Operation	+ 10 - 35°C / 10 - 85 %
	Stock	0 - 60°C / 20 - 80 %
	Transport	- 25 - 60°C / 20 - 80 %
Approvals	CE, FCC Class A	

Outside dimensions increased after separation: typically 0.2 mm

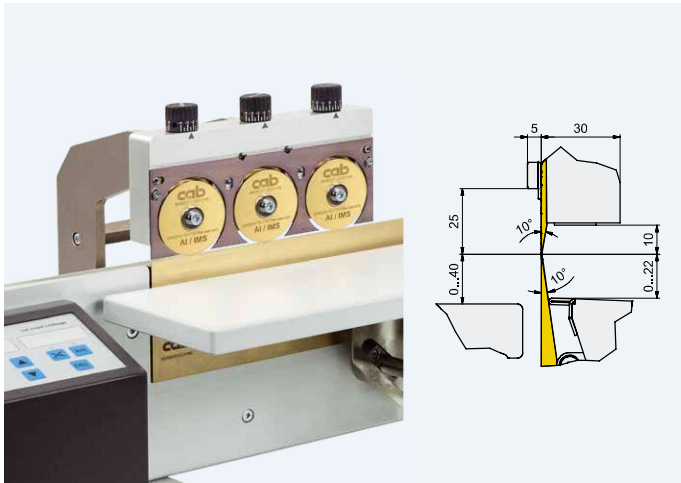


The milled groove may be interrupted by cutouts.

Protruding components need a recessed linear blade. Contact us, if required



# PCB separator MAESTRO 6



Part no.	Product	Sep. length
<b>8936510</b>	PCB separator MAESTRO 6/603	up to 600 mm
<b>8936500</b>	PCB separator MAESTRO 6/903	up to 900 mm
<b>8936490</b>	PCB separator MAESTRO 6/1203	up to 1.200 mm
<b>8936570</b>	PCB separator MAESTRO 6/1503	up to 1.500 mm
<b>8936xxx.520</b>	PCB separator MAESTRO 6/xx03 alu	
Scope of delivery	PCB separator Power cable Type E+F, length 1.8 m Foot switch Allen key 2 mm Dial gauge Operator's manual DE/EN	

## MAESTRO 6/X03

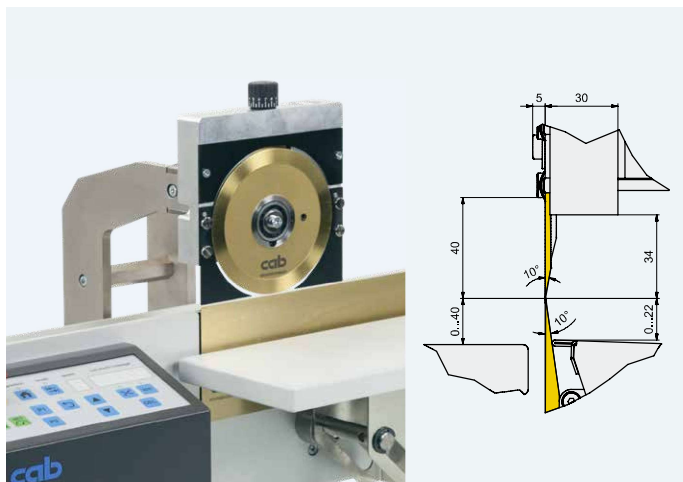
Separation of FR4, CEM3 and aluminum PCBs  
up to lengths of 1,500 mm

Simple and quick change of FR4/CEM3 blades to aluminum blades or the other way round

Height of circular blades to the linear blade to be set individually

Technical data	6/603	6/903	6/1203	6/1503
Circular blade	diameter 60 mm			
Separation speed	up to 500 mm/s up to 250 mm/s with aluminum			
Materials	FR4, CEM3, aluminum			
Component height	Component side up to 10 mm Solder side up to 22 mm			
Width	1,150 mm	1,450 mm	1,750 mm	2,050 mm
Height x Depth	350 x 450 mm			
Weight	50 kg	55 kg	60 kg	65 kg

Part no.	Wear parts	
<b>8936446.001</b>	Circular blade 60 FR4	
<b>8936507.001</b>	Circular blade 60 alu	
<b>8936593.001</b>	Linear blade 450	
<b>8936592.001</b>	Linear blade 600	
<b>8936437.001</b>	Blade protection X03	



Part no.	Product	Sep. length
<b>8936560</b>	PCB separator MAESTRO 6/601	up to 600 mm
<b>8936580</b>	PCB separator MAESTRO 6/901	up to 900 mm
Scope of delivery	PCB separator Power cable Type E+F, length 1.8 m Foot switch Allen key 2 mm Dial gauge Operator's manual DE/EN	

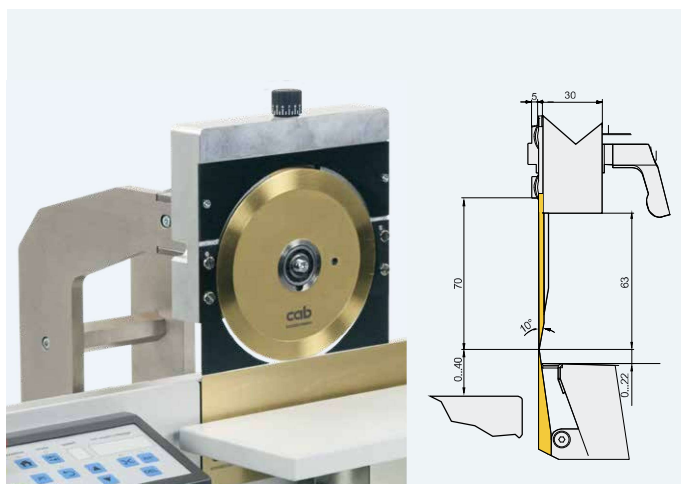
## MAESTRO 6/X01

Separation of FR4 and CEM3 PCBs up to lengths of 900 mm;  
further lengths on request

Technical data	6/601	6/901
Circular blade	diameter 125 mm	
Separation speed	up to 500 mm/s	
Materials	FR4, CEM3	
Component height	Component side up to 34 mm Solder side up to 22 mm	
Width x Height x Depth	1,150 x 410 x 450 mm	1,450 x 410 x 450 mm
Weight	50 kg	55 kg

Part no.	Wear parts	
<b>8930509.001</b>	Circular blade 125 FR4	
<b>8936593.001</b>	Linear blade 450	
<b>8936592.001</b>	Linear blade 600	
<b>8936614.001</b>	Blade protection 1 X01	
<b>8936615.001</b>	Blade protection 2 X01	

# PCB separator MAESTRO 6



## MAESTRO 6/601.70

Separation of FR4 and CEM3 PCBs up to lengths of 600 mm and component heights of 70 mm; further lengths on request

Technical data	6/601.70
Circular blade	diameter 185 mm
Separation speed	up to 500 mm/s
Materials	FR4, CEM3
Component height	Component side up to 63 mm Solder side up to 22 mm
Width x Height x Depth	1,150 x 410 x 450 mm
Weight	50 kg

Part no.	Product	Sep. length
<b>8936590</b>	PCB separator MAESTRO 6/601.70	up to 600 mm
Scope of delivery	PCB separator Power cable Type E+F, length 1.8 m Foot switch Allen key 2 mm Dial gauge Operator's manual DE/EN	

Part no.	Wear parts	
<b>8933933.001</b>	Circular blade 185	
<b>8936593.001</b> <b>8936592.001</b>	Linear blade 450 Linear blade 600	
<b>8936583.001</b> <b>8936584.001</b>	Blade protection 1 X01/70 Blade protection 2 X01/70	