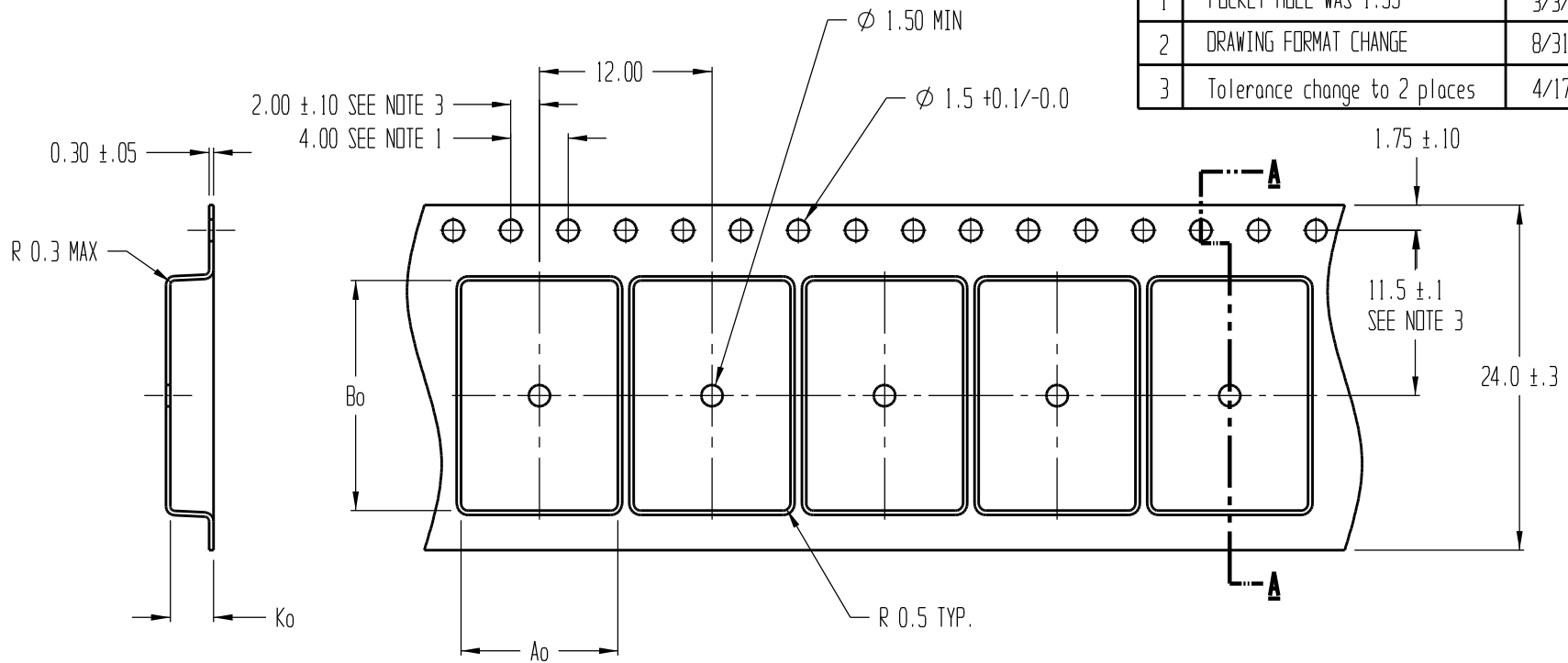


REVISIONS			
REV	DESCRIPTION	DATE	APPROVED
1	POCKET HOLE WAS 1.55	3/3/94	TS
2	DRAWING FORMAT CHANGE	8/31/01	TMD
3	Tolerance change to 2 places	4/17/02	BTH



SECTION A - A

- ③ Ao = 10.90
- ③ Bo = 16.00
- ③ Ko = 3.00

NOTES:

1. 10 SPROCKET HOLE PITCH CUMULATIVE TOLERANCE ± 0.2
2. CAMBER IN COMPLIANCE WITH EIA 481
3. POCKET POSITION RELATIVE TO SPROCKET HOLE MEASURED AS TRUE POSITION OF POCKET, NOT POCKET HOLE



ADVANTEK			
TITLE ADVANTEK PART DRAWING NUMBER SQ-24L-A SQIC-24L WIDE BODY CARRIER TAPE, OPEN TOOL			
TOLERANCES - UNLESS NOTED 1PL ± 0.2 2PL ± 0.10		MATERIAL PS+C	
		ALL DIMENSIONS IN MILLIMETERS	DWG SIZE B
DRAWN BY TMD	DATE 08/31/2001	SCALE 3:1	SHEET 1 OF 1
REFERENCE NO.	DWG NO. A0103-89-11	REV 3	