

4722.** 6.3 (.250) TYPE SERIES · RECEPTACLES SELF-LOCKING RECEPTACLES



Specification Standard self-locking terminals for connector disconnection

For male (mm) 6,3x0,8

Wire size mm² (AWG) 1-2,5 (18-14)

Ø Insulation (mm) 3-4,3

Materials, temperature and contact resistance

Part nr.	Material	Finishing	Max. Temp. (°C)	Contact Resist (mΩ)
4722.00	Brass	Natural	110	1.00
4722.02	Brass	Tin plated	120	0.50
4722.30	Bronze	Natural	120	(T.B.D.)
4722.32	Bronze	Tin plated	130	(T.B.D.)
4722.70	German Silver	Natural	210	(T.B.D.)

Material thickness (mm) 0,4

Max. rated current

Wire section	4722.00 / 02 / 30 / 32 / 70
1.00 mm ²	12A
1.50 mm ²	16A
2.50 mm ²	20A

Insertion / Withdrawal forces

	4722.00 / 02 / 30 / 32	4722.70
1st Insertion (max)	35N ¹	35N ¹
1st Withdrawal (max)	30N ¹	30N ¹
1st Withdrawal (min, locking enabled)	90N ¹	70N ¹

¹ Valid for Natural Brass Tab

Security function

Self-locking function prevents disconnection by pulling the cable. Disconnection is possible disabling the locking function, pressing the lever manually or sliding the connector (see withdrawal forces). It allows several connections-disconnections maintaining the functional features.


Application tool

MN4722

Wire strip length

5.5 (±0.5) mm

Crimping parameters & pull out force

Wire section (±10%)	Conductor 		Insulator	Pull-out force (N)
	Height (mm)	Width (mm)	Width (mm)	
1.00 mm ²	1.50 (±0.05)	3.04 (±0.05)	4.15 (±0.10)	108N @ 60s
1.50 mm ²	1.65 (±0.05)	3.05 (±0.05)	4.17 (±0.10)	150N @ 60s
2.00 mm ²	1.80 (±0.05)	3.07 (±0.05)	4.21 (±0.10)	150N @ 60s
2.50 mm ²	1.95 (±0.05)	3.09 (±0.05)	4.18 (±0.10)	230N @ 60s

Values only valid for the application tool specified upwards. The insulator widths are only indicative as they are dependent on the sheath thickness of the wire used.

Winding number

7000

Compatible connectors

26312**, 26388**

4722.**

6.3 (.250) TYPE SERIES · RECEPTACLES
SELF-LOCKING RECEPTACLES



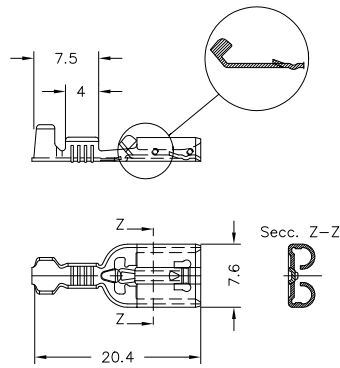
Approved regulations

Part nr.	Approval	Standard	File	Certified framework
4722.00	UL	UL 310	E211727	AWG 18-14 (16-41 Stranded Cu) / MN4722
4722.02	UL	UL 310	E211727	AWG 18-14 (16-41 Stranded Cu) / MN4722

Approvals



Drawing



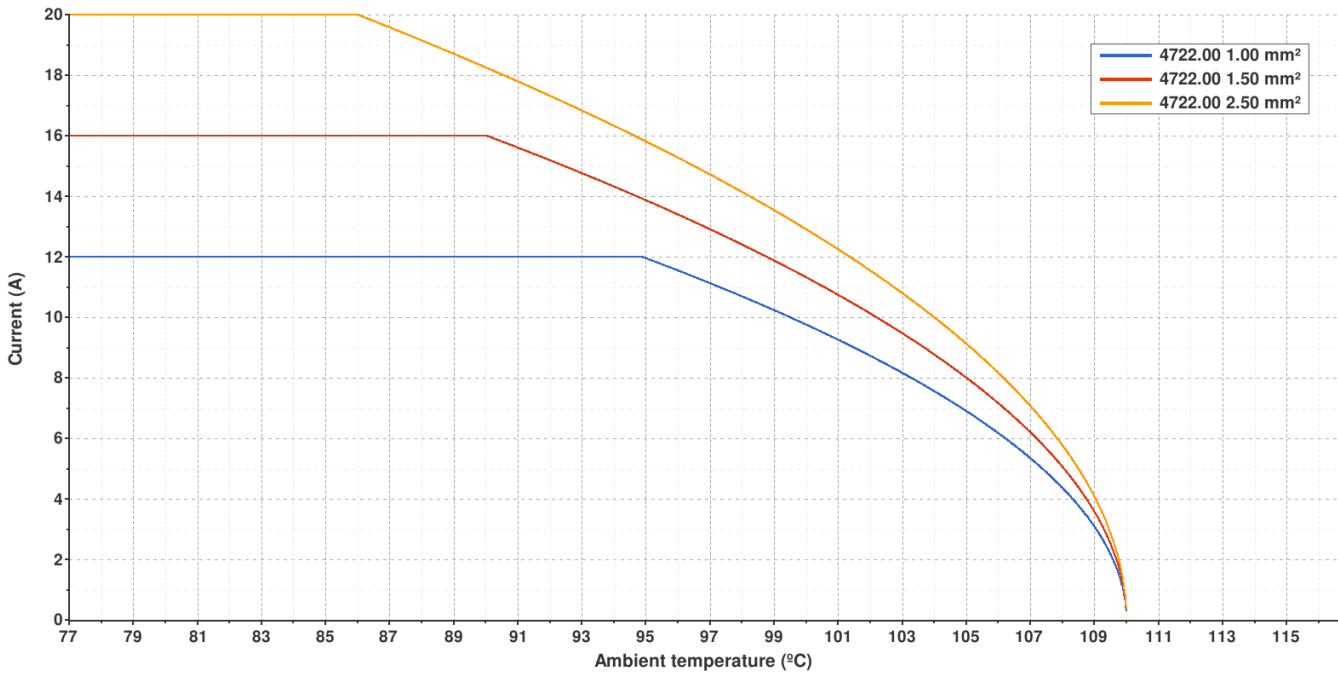
4722.00 NATURAL BRASS

6.3 (.250) TYPE SERIES · RECEPTACLES
SELF-LOCKING RECEPTACLES



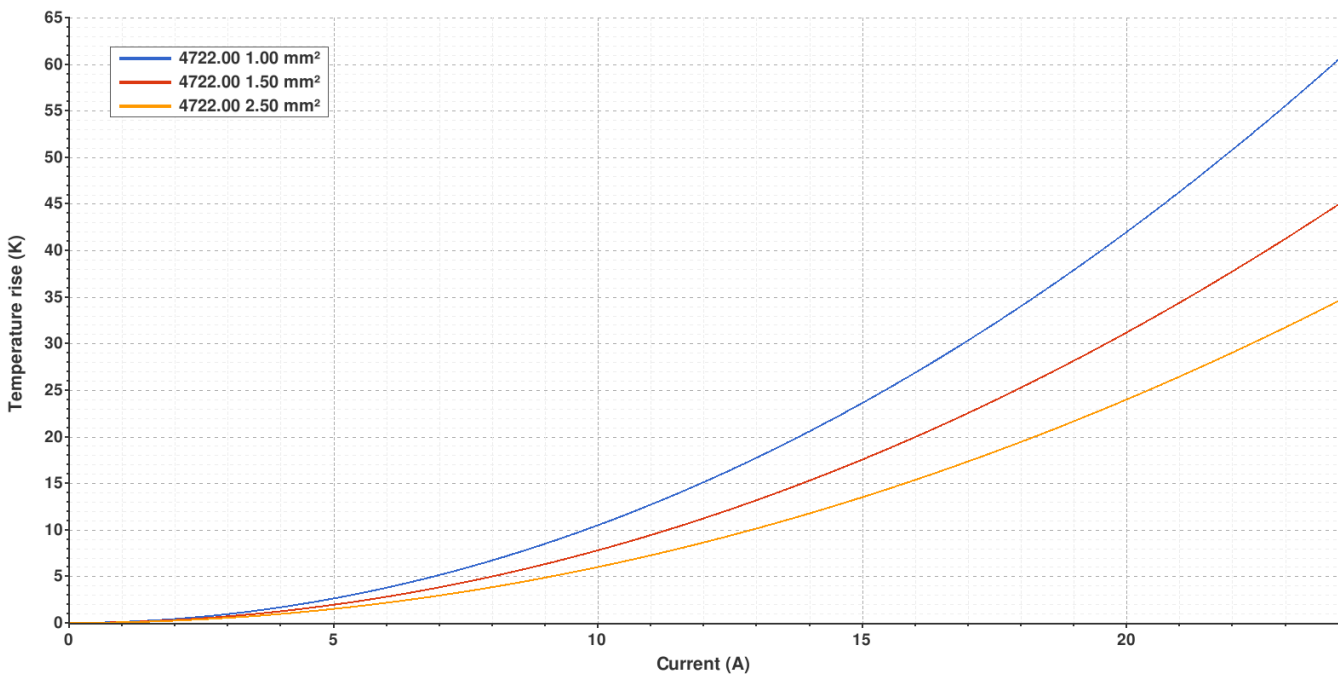
Derating curve

Current carrying capacity vs. Ambient temperature



Temperature rise curve

Terminal temperature rise due to the current carried

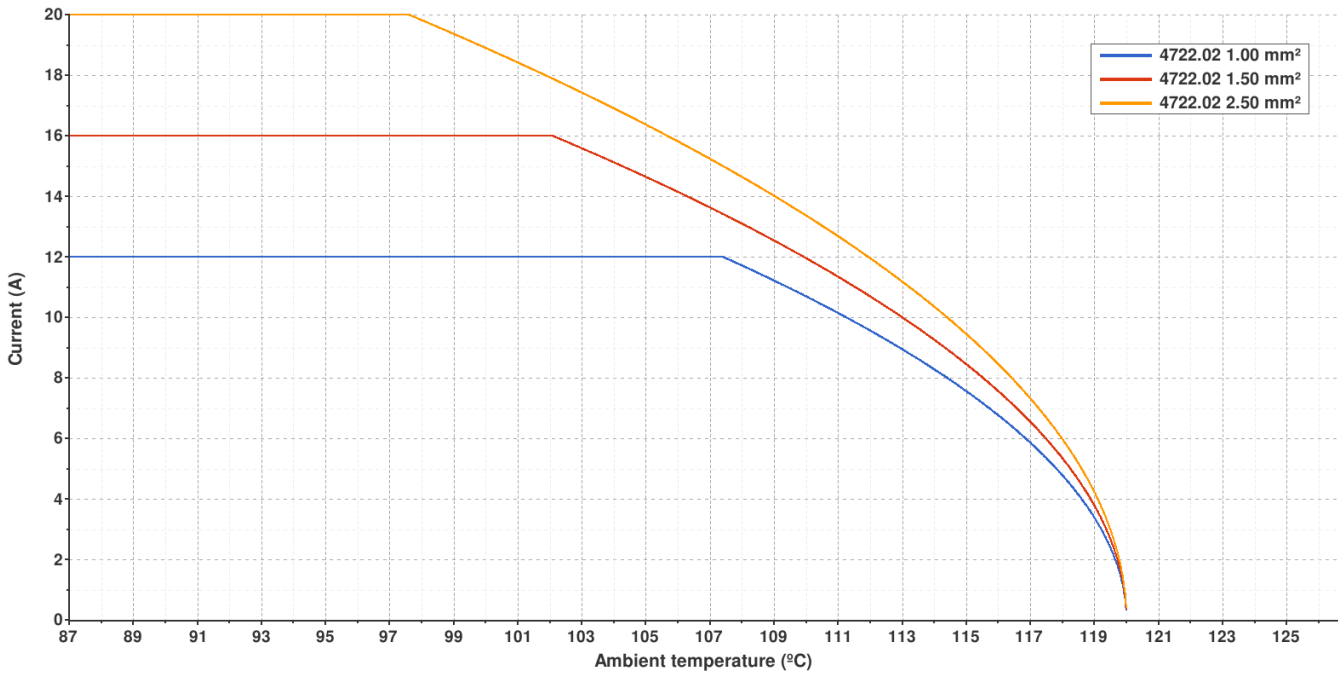


Valid for Natural Brass Tab

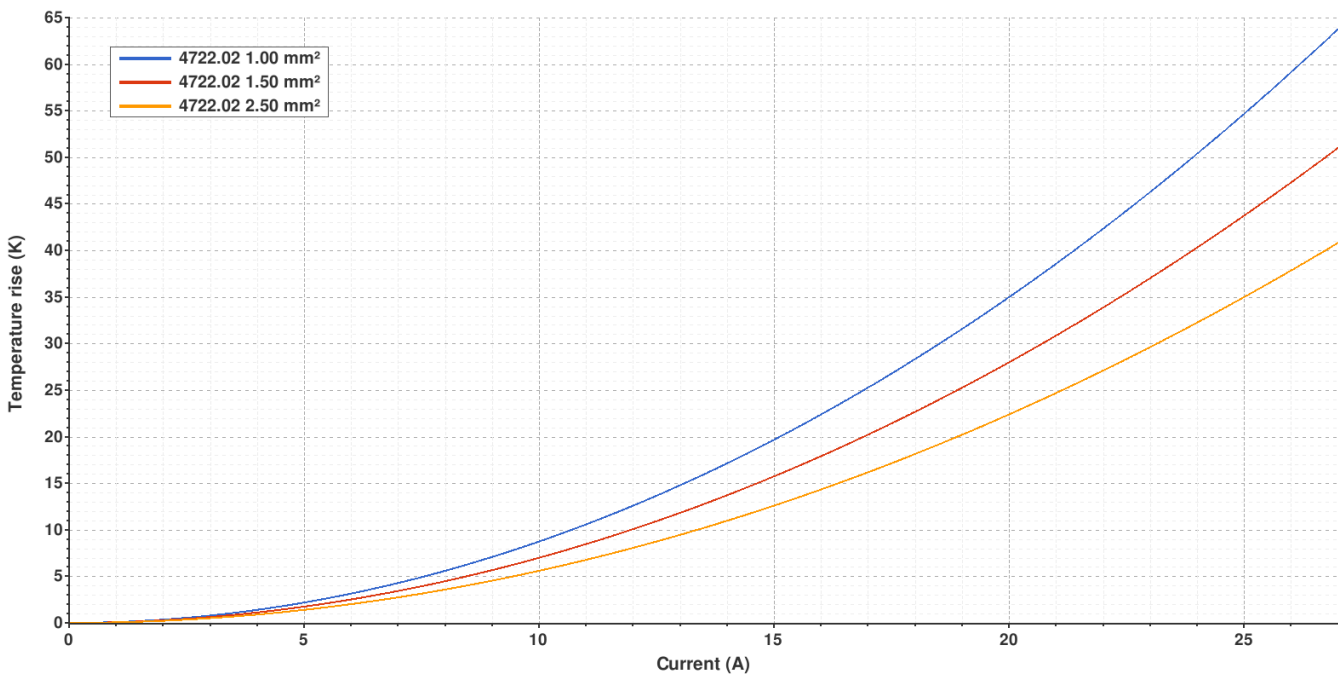
4722.02 TIN PLATED BRASS
6.3 (.250) TYPE SERIES · RECEPTACLES
SELF-LOCKING RECEPTACLES



Derating curve Current carrying capacity vs. Ambient temperature



Temperature rise curve Terminal temperature rise due to the current carried



Valid for Natural Brass Tab

4722.****6.3 (.250) TYPE SERIES · RECEPTACLES**
SELF-LOCKING RECEPTACLES

(T.B.D.): To be determined

Disclaimer

Data obtained from Escubedo Laboratory essays, using own methodology, cablings, equipment and original crimping tools, done in laboratory conditions and following the indicated standards, errors and omissions excepted. This document has no contractual meaning and it is publicised only for informative purposes. It can be changed without prior notice. The end customer has the sole responsibility to check these characteristics in its environment and with its own components, manufacturing methods and equipment. See also the full range product overview if available. For further information please visit our web site or contact us

Rev. Nr.	Concept	Date	Created/Revised	Approved
A3	Change company name and logo	2021-10-21	E.Roura (laboratory dept.)	M.Codina (engineering dept.)
A2	Secutiry function updated	2021-02-22	E.Roura (laboratory dept.)	M.Codina (engineering dept.)
A1	Datasheet generated automatically [A1]	2020-11-16	E.Roura (Laboratory dept.)	M.Codina (Engineering dept.)

Escubedo Connection Systems, S.A.U. · Ctra. de Girona-Olot Km. 35,5 · 17843 Riudellots de la Creu · Girona · Spain
Tel.: 34 972 171 706 · Fax: +34 972 171 714 · info@escubedo.com · www.escubedo.com