

26314** 6.3 (.250) TYPE SERIES · RECEPTACLES



Specification Receptacle housings

Ways 1

Thermal Characteristics

Part nr.	Raw material	Color	Flammability Class (UL 94)	Glow Wire Test (GWT) (IEC60695-2-11)	Glow Wire Flammability Index (IEC60695-2-12)	RTI electrical (Max. Operating Temp.)
2631410	PA66V2	Natural	V2	550°C	850°C	105°C
2631430	PA66V0	Natural	V0	650°C	960°C	140°C
2631440	NO FLAME	Natural	V2	800°C	960°C	130°C
2631450	Stanyl	Natural	V2	(T.B.D.)	850°C	150°C
2631460	PAV0NF	Natural	V0	750°C	960°C	120°C

For other materials and colors ask to: info@escubedo.com

Compatible terminals 4830.**, 4831.**, 4832.**, 4833.**, 4834.**

Insertion / Withdrawal forces

	2631410	2631430 / 40 / 50 / 60
1st Insertion (max)	15N	15N
1st Withdrawal (min, primary lock only)	90N	50N

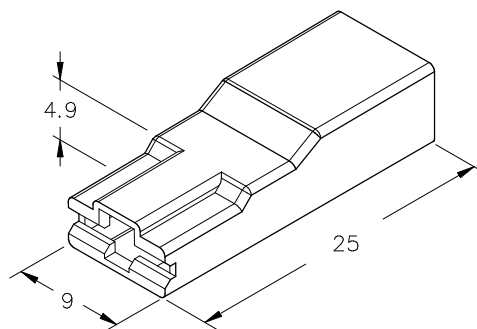
Approved regulations

Part nr.	Approval	Standard	File	Certified framework
2631410	UL	UL 310	E245592	V2 / RTI Elec., Max. Operating Temp, 65°C
2631430	UL	UL 310	E245592	V0 / RTI Elec., Max. Operating Temp, 140°C
2631440	UL	UL 310	E245592	V2 / RTI Elec., Max. Operating Temp, 130°C
2631460	UL	UL 310	E245592	V0 / RTI Elec., Max. Operating Temp, 120°C

Approvals



Drawing



(T.B.D.): To be determined

Disclaimer

Data obtained from Escubedo Laboratory essays, using own methodology, cablings, equipment and original crimping tools, done in laboratory conditions and following the indicated standards, errors and omissions excepted. This document has no contractual meaning and it is publicised only for informative purposes. It can be changed without prior notice. The end customer has the sole responsibility to check these characteristics in its environment and with its own components, manufacturing methods and equipment. See also the full range product overview if available. For further information please visit our web site or contact us

Rev. Nr.	Concept	Date	Created/Revised	Approved
A3	Change company name and logo	2021-10-21	M.Codina	Engineering dept.
A2	GWT temperatures updated	2021-05-25	M.Codina	Engineering dept.
A1	Datasheet generated automatically [A1]	2021-01-14	E. Roura (Laboratory Dept.)	M. Codina (Engineering Dept.)

Escubedo Connection Systems, S.A.U. · Ctra. de Girona-Olot Km. 35,5 · 17843 Riudellots de la Creu · Girona · Spain
Tel.: 34 972 171 706 · Fax: +34 972 171 714 · info@escubedo.com · www.escubedo.com