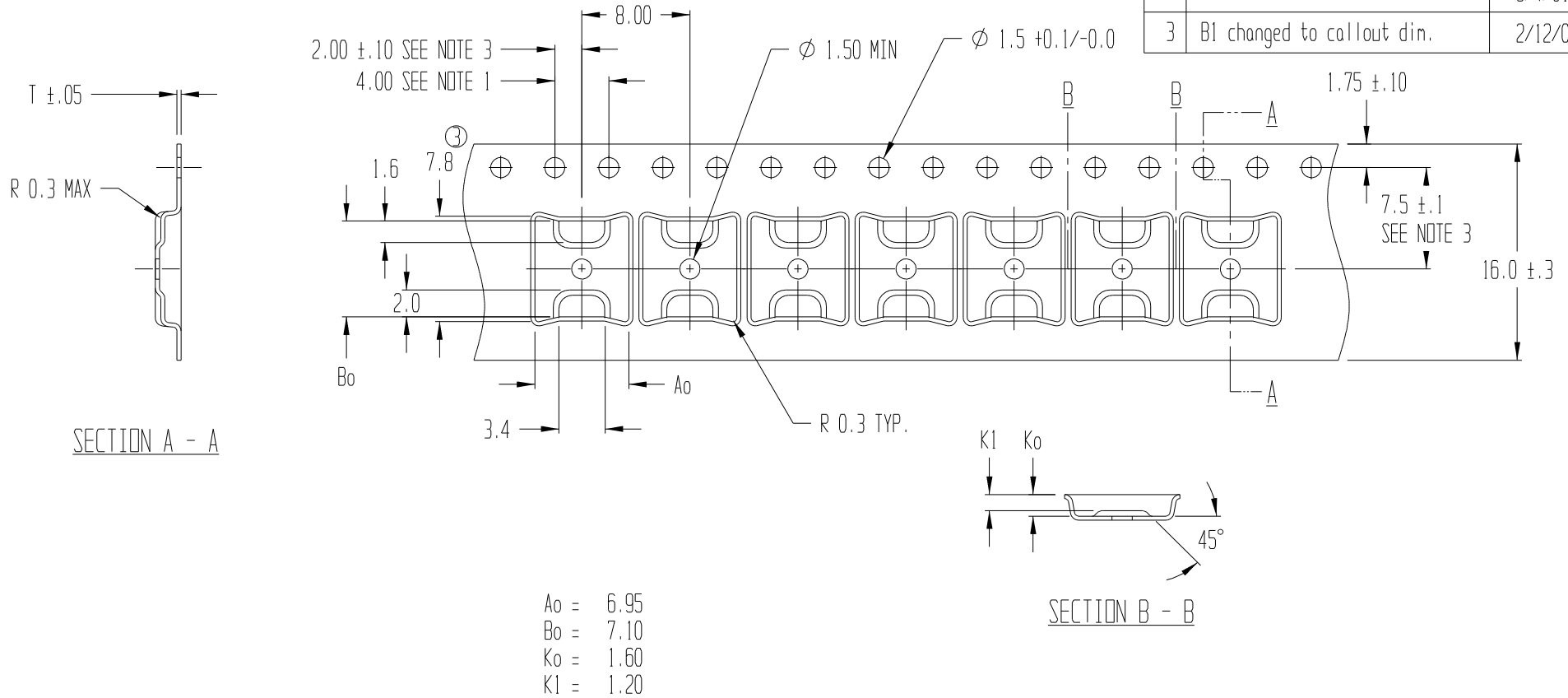


REVISIONS			
REV	DESCRIPTION	DATE	APPROVED
1	PART NUMBER WAS TSSOP20-A	9/9/93	TS
2	DRAWING FORMAT CHANGE	9/4/01	TMD
3	B1 changed to callout din.	2/12/03	BTH



NOTES:

1. 10 SPROCKET HOLE PITCH CUMULATIVE TOLERANCE ± 0.2
2. CAMBER IN COMPLIANCE WITH EIA 481
3. POCKET POSITION RELATIVE TO SPROCKET HOLE MEASURED AS TRUE POSITION OF POCKET, NOT POCKET HOLE

PART#	T	MATERIAL	DRAWING NO.
TSSP20-AC	0.30	PS+C	A0819-93-2
TSSP20-AD	0.30	PS+C	A0819-93-2



TITLE ADVANTEK PART DRAWING NUMBER TSSP20-A CARRIER TAPE			
TOLERANCES - UNLESS NOTED 1PL ± 0.2 2PL ± 0.10		MATERIAL SEE TABLE	
DRAWN BY TMD		DATE 09/04/2001	SCALE 3:1
REFERENCE NO.		DWG NO. SEE TABLE	SHEET 1 OF 1
			REV 3