

5232.**
6.3 (.250) TYPE SERIES · MALE-FEMALE TERMINALS

Specification Low insertion

For male (mm) 6,3x0,8

Wire size mm² (AWG) 1-2,5 (18-14)

Ø Insulation (mm) 2,7-4,3

Materials, temperature and contact resistance

Part nr.	Material	Finishing	Max. Temp. (°C)
5232.00	Brass	Natural	110
5232.01	Brass	Pre-tin-plated	120
5232.30	Bronze	Natural	120
5232.31	Bronze	Pre-tin-plated	130
5232.24	Steel	Nickel-plated	300

Material thickness (mm) 0,4

Max. rated current

Wire section	5232.00 / 01 / 30 / 31 / 24
1.00 mm ²	12A
1.50 mm ²	16A
2.50 mm ²	20A

Insertion / Withdrawal forces

	5232.00 / 30	5232.01 / 31 / 24
1st Insertion (max)	35N	35N
1st Withdrawal (max)	60N	60N
1st Withdrawal (min)	27N	22N
6th Withdrawal (min)	22N	18N


Application tool

MN5232

Wire strip length

5.0 (±0.5) mm

Crimping parameters & pull out force

Wire section (±10%)	Conductor 		Insulator	Pull-out force (N)
	Height (mm)	Width (mm)		
1.00 mm ²	1.55 (±0.05)	2.86 (±0.05)	4.20 (±0.10)	108N @ 60s
1.50 mm ²	1.70 (±0.05)	2.87 (±0.05)	4.20 (±0.10)	150N @ 60s
2.00 mm ²	1.85 (±0.05)	2.89 (±0.05)	4.17 (±0.10)	150N @ 60s
2.50 mm ²	2.00 (±0.05)	2.90 (±0.05)	4.17 (±0.10)	230N @ 60s

Values only valid for the application tool specified upwards. The insulator widths are only indicative as they are dependent on the sheath thickness of the wire used.

Winding number

1500

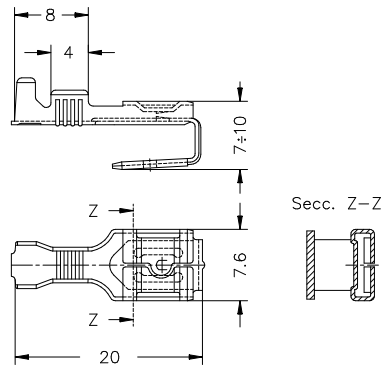
Approvals


5232.**

6.3 (.250) TYPE SERIES · MALE-FEMALE TERMINALS



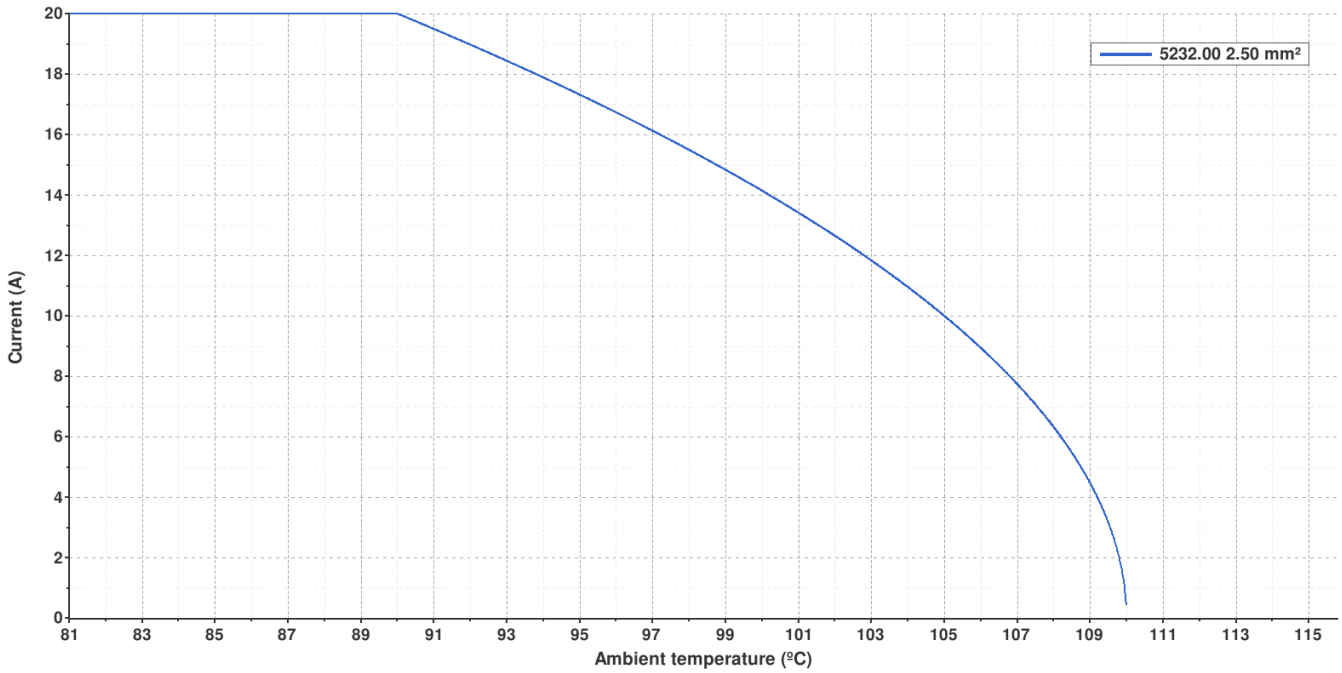
Drawing



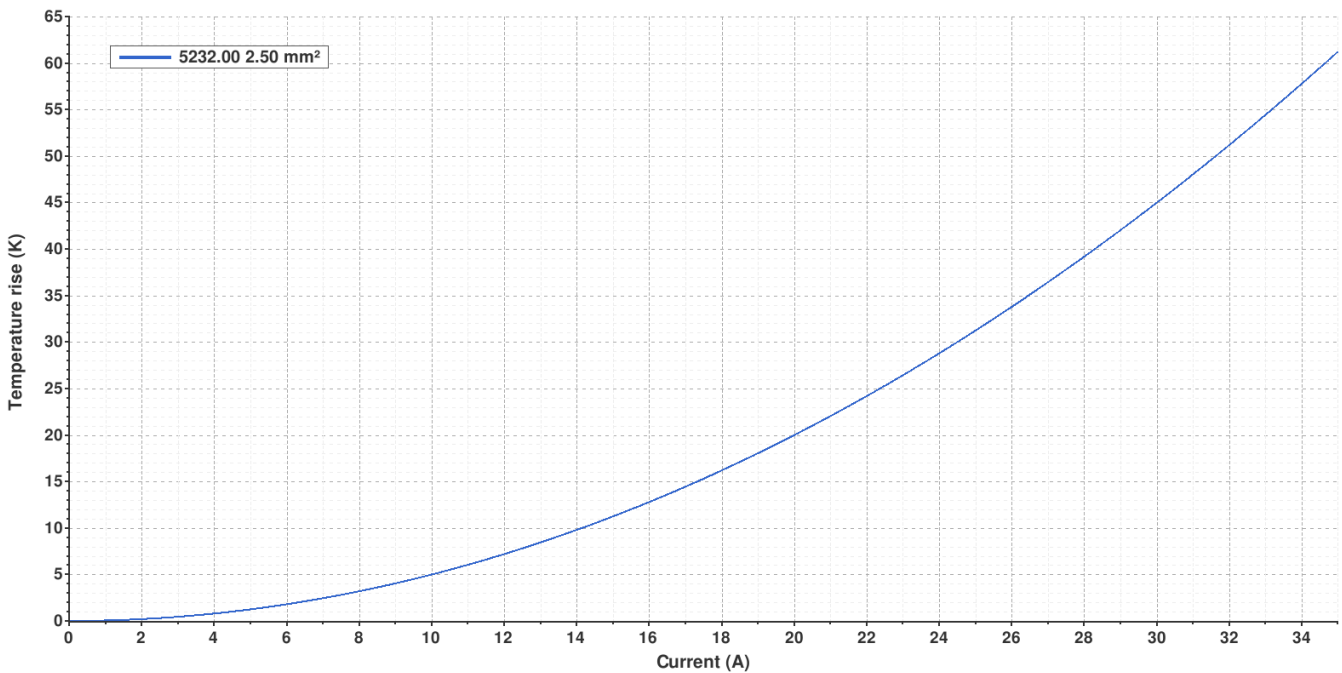
5232.00 NATURAL BRASS
6.3 (.250) TYPE SERIES · MALE-FEMALE TERMINALS



Derating curve Current carrying capacity vs. Ambient temperature



Temperature rise curve Terminal temperature rise due to the current carried



Valid for Natural Brass Tab

5232.**

6.3 (.250) TYPE SERIES · MALE-FEMALE TERMINALS



Disclaimer

Data obtained from Escubedo Laboratory essays, using own methodology, cablings, equipment and original crimping tools, done in laboratory conditions and following the indicated standards, errors and omissions excepted. This document has no contractual meaning and it is publicised only for informative purposes. It can be changed without prior notice. The end customer has the sole responsibility to check these characteristics in its environment and with its own components, manufacturing methods and equipment. See also the full range product overview if available. For further information please visit our web site or contact us

Rev. Nr.	Concept	Date	Created/Revised	Approved
A1	Datasheet generated automatically [A1]	2023-02-13	D. Yabar (Engineering Dept.)	E. Roura (Laboratory Dept.)

Escubedo Connection Systems, S.A.U. · Ctra. de Girona-Olot Km. 35,5 · 17843 Riudellots de la Creu · Girona · Spain
 Tel.: 34 972 171 706 · Fax: +34 972 171 714 · info@escubedo.com · www.escubedo.com