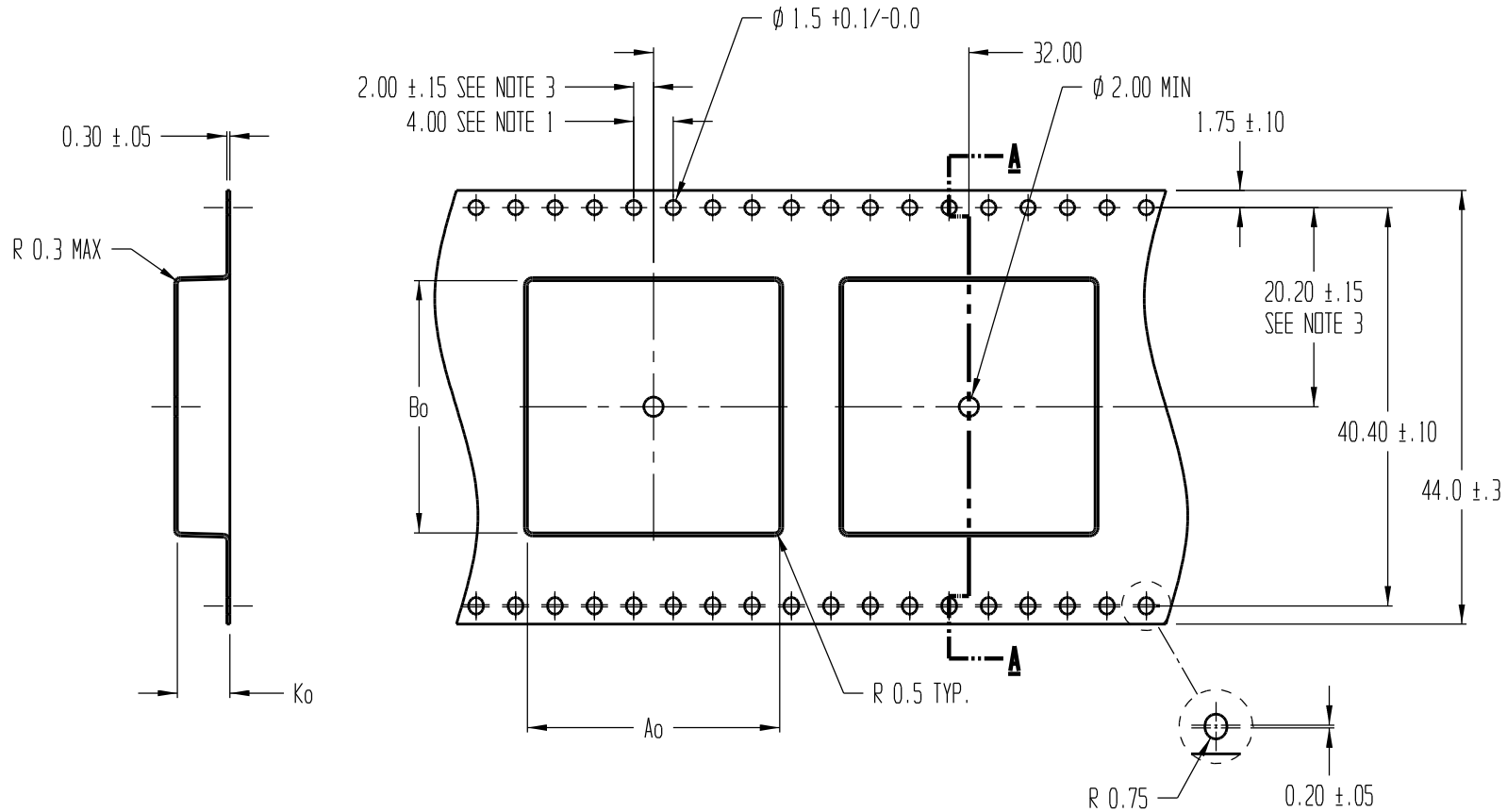


REVISIONS			
REV	DESCRIPTION	DATE	APPROVED
1	Drawing format change	3/18/03	BVB



SECTION A - A

$A_o = 25.60$
 $B_o = 25.60$
 $K_o = 5.30$

NOTES:

1. 10 SPROCKET HOLE PITCH CUMULATIVE TOLERANCE ± 0.2
2. CAMBER IN COMPLIANCE WITH EIA 481
3. POCKET POSITION RELATIVE TO SPROCKET HOLE MEASURED AS TRUE POSITION OF POCKET, NOT POCKET HOLE



TITLE ADVANTEK PART DRAWING NUMBER PLCC68-A CARRIER TAPE			
TOLERANCES - UNLESS NOTED 1PL ± 0.2 2PL ± 0.10		MATERIAL PS+C	
		ALL DIMENSIONS IN MILLIMETERS	DWG SIZE B
DRAWN BY	BJD/BVB	DATE	12/29/88
		SCALE	2:1
		SHEET	1 OF 1
REFERENCE NO.		DWG NO.	A0103-89-7
		REV	1