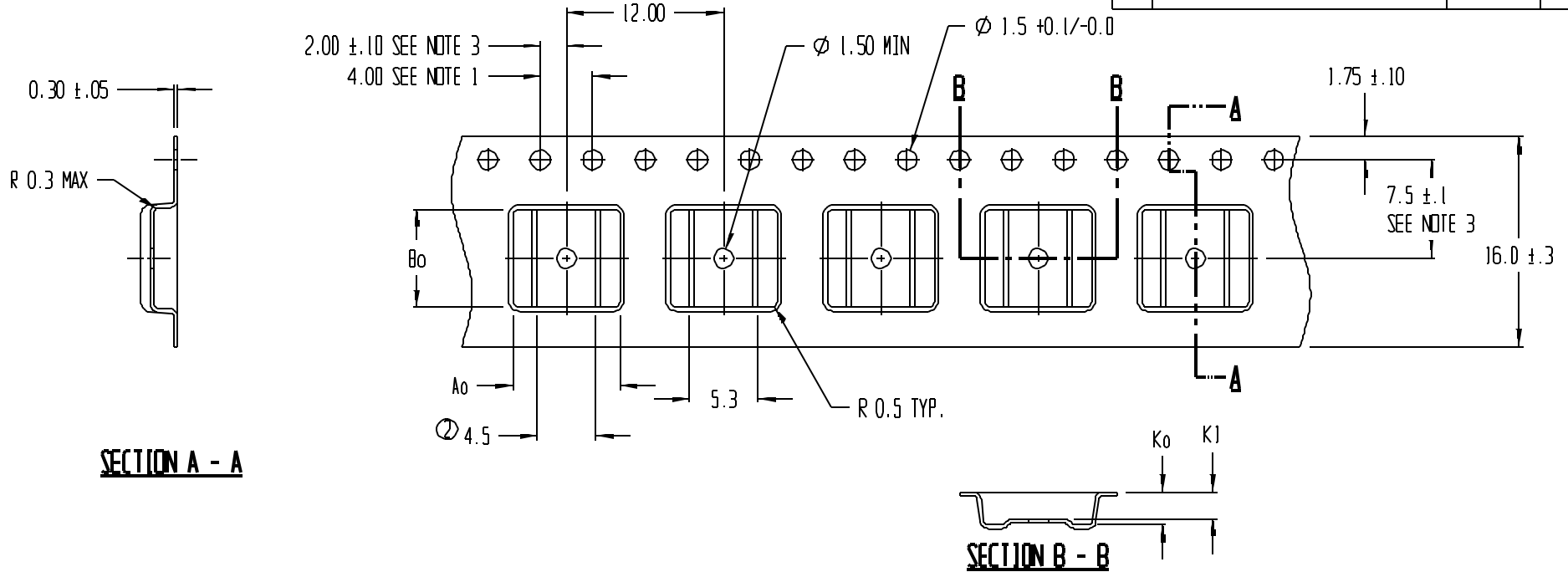


REVISIONS			
REV	DESCRIPTION	DATE	APPROVED
1	DRAWING FORMAT CHANGE	9/4/01	TMD
2	4.5 WAS A1	3/4/03	BTH



SECTION A - A

SECTION B - B

Ao = 8.20
Bo = 7.50
Ko = 2.50
K1 = 2.10

NOTES:

1. 10 SPROCKET HOLE PITCH CUMULATIVE TOLERANCE ± 0.2
2. CAMBER IN COMPLIANCE WITH EIA 481
3. POCKET POSITION RELATIVE TO SPROCKET HOLE MEASURED AS TRUE POSITION OF POCKET, NOT POCKET HOLE



TITLE ADVANTEK PART DRAWING NUMBER SSCP20-C CARRIER TAPE			
TOLERANCES - UNLESS NOTED 1PL ± 0.2 2PL ± 0.10	MATERIAL PS+C	ALL DIMENSIONS IN MILLIMETERS DWG SIZE B	
DRAWN BY TMD	DATE 09/04/2001	SCALE 3:1	SHEET 1 OF 1
REFERENCE NO.	DWG NO. A1007-93-2	REV 2	