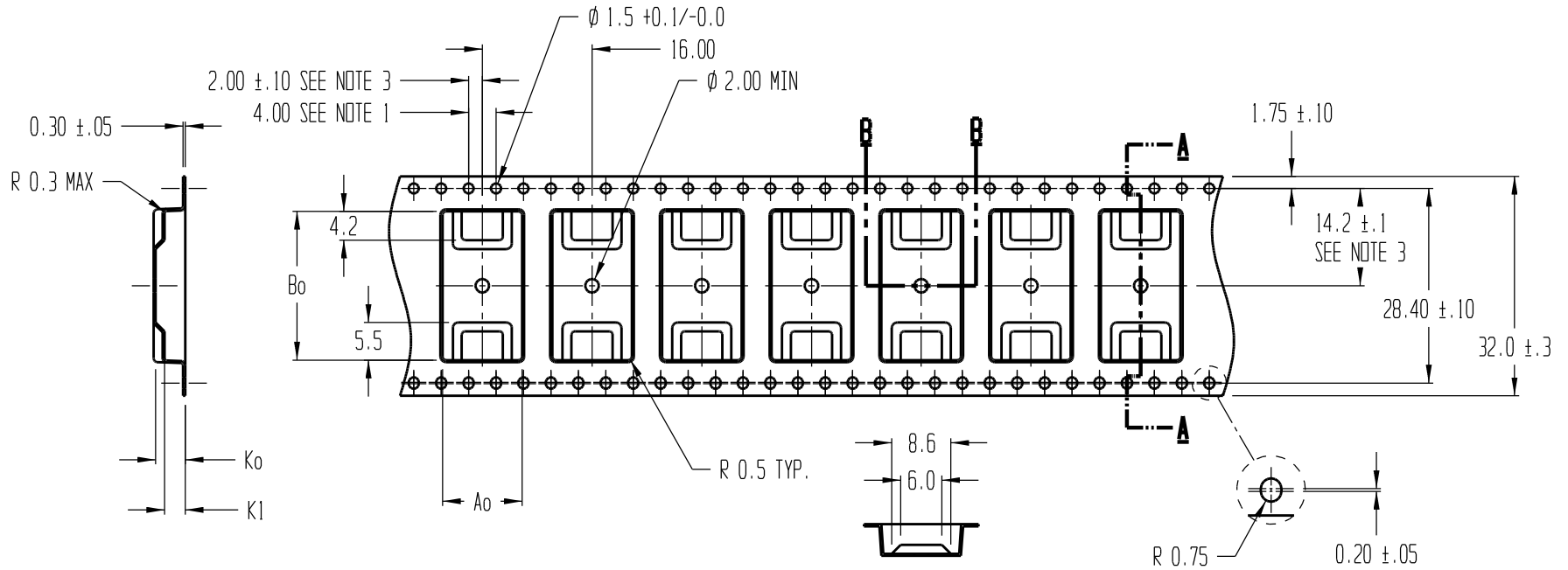


REVISIONS			
REV	DESCRIPTION	DATE	APPROVED
1	Drawing format change	6/9/03	BVB



**SECTION A - A**

**SECTION B - B**

$A_o = 11.60$   
 $B_o = 21.70$   
 $K_o = 4.30$   
 $K_1 = 3.00$

**NOTES:**

1. 10 SPROCKET HOLE PITCH CUMULATIVE TOLERANCE  $\pm 0.2$
2. CAMBER IN COMPLIANCE WITH EIA 481
3. POCKET POSITION RELATIVE TO SPROCKET HOLE MEASURED AS TRUE POSITION OF POCKET, NOT POCKET HOLE

<b>ADVANTEK</b>			
TITLE ADVANTEK PART DRAWING NUMBER SOJ32P-B CARRIER TAPE			
TOLERANCES - UNLESS NOTED 1PL $\pm 0.2$ 2PL $\pm 0.10$		MATERIAL PS+C	
		ALL DIMENSIONS IN MILLIMETERS	DWG SIZE B
DRAWN BY T.S./BVB	DATE 10/5/93	SCALE 3:2	SHEET 1 OF 1
REFERENCE NO.	DWG NO. A1101-93-2	REV 1	